

Offline Filtration Trolley OFT20



Detachable filter unit

Technical Specifications

Pump Type	Gear Pump
Max. Flow Rate	20 l/min
Operating Pressure	3.5 bar max.
Element	10µ supplied with unit
Pressure at suction port	0.4 bar abs. (flooded suction recommended)
Viscosity Range	16 ... 200 cSt
Permitted operating fluid	Mineral oils
Fluid Temperature	0 ... 80°C
Ambient Temperature	-15 ... 40°C
Protection Class	IP54
Power cable length	2 m
Seal / Gaskets	NBR
Weight	22.8 Kg without trolley 32.6 Kg with trolley

Description

The Offline Filtration Trolley is a mobile oil service unit that is used to filter oil when filling systems, when transferring hydraulic and lubricating fluids and to filter current tanks.

Applications

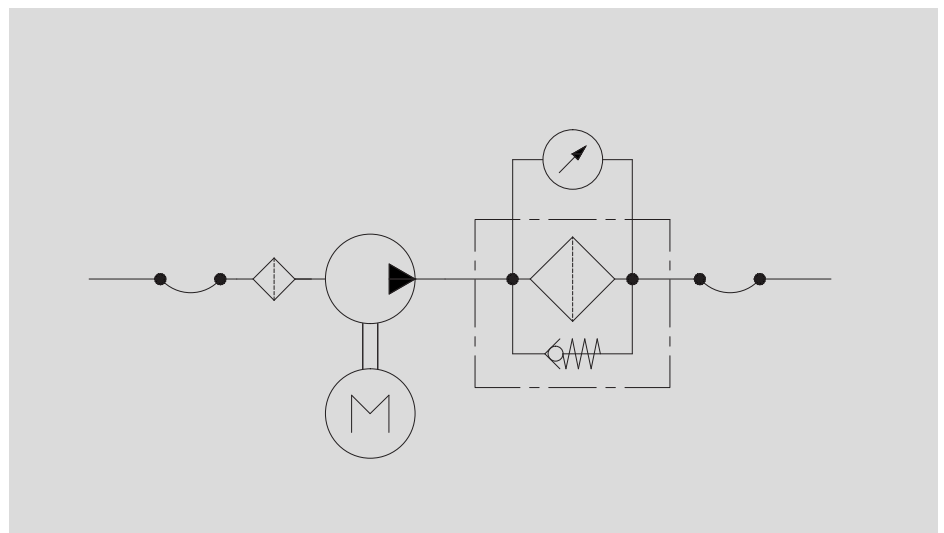
- Hydraulic and lubrication oil systems in a variety of industries.

Special features

- Convenient offline filtration
- Easy operation
- Reduction in Life Cycle Cost
- Pneumatic tyres
- Detachable filter unit with carry handle
- Ecomicron - incinerable element.

Hydraulic Circuit Diagram

OFT20



Model Code

OFT 20 N 370 F 010 BF

Offline filtration trolley

OFT

Type code

20

Seals

N = NBR

Motor output and flow

370 = 0.37 Kw

Connection voltage

F = 1 x 240V, 50 Hz

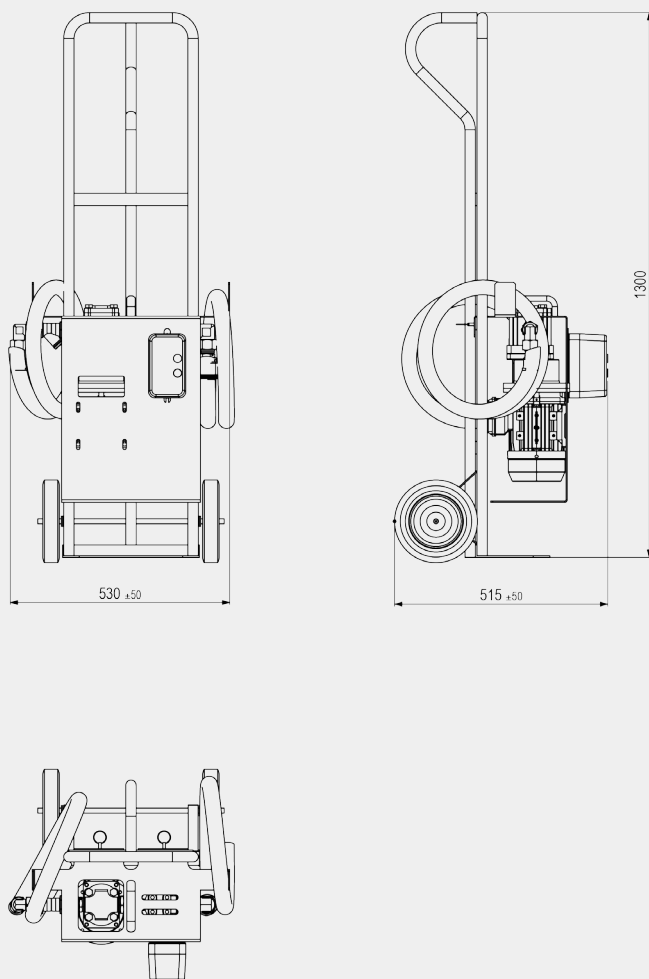
Filter element

3, 5, 10, 20 µm and (AM) for water removal element 40 µm.

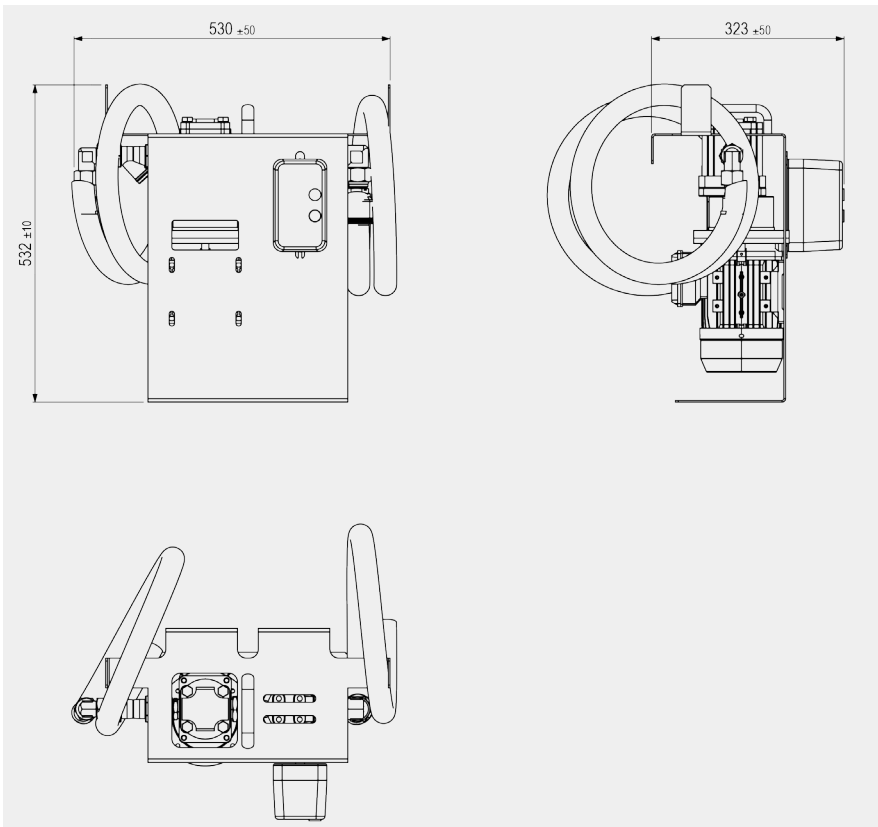
Clogging indicator

BF = Visual differential indicator

Dimensions



Dimensions



Ecomicron Elements

Part Number	Description	Filtration rating
1299105	0200 MX 003 ECON2 /-B3.5 235.50	3 µm
1299107	0200 MX 005 ECON2/-B3.5 170.70	5 µm
1296386	0200 MX 010 ECON2/-B3.5 151.40	10 µm
1299109	0200 MX 020 ECON2/-B3.5 151.40	20 µm
2099365	0200 MX AM	40 µm

Note

The information in this brochure relates to the operating conditions and applications described.

For applications and operating conditions not described, please contact the relevant technical department.

Subject to technical modifications.

HYDAC Australia / New Zealand

109-111 Dohertys Road
Altona North, VIC. 3025
Phone: 1300 449 322
info@hydac.com.au
www.hydac.com.au